

CX12 S2 1150X520 EVO

POWERFUL, COMPACT, MANOEUVRABLE



CX12

The CX12 electric pallet truck is suitable for carrying loads on smooth or paved surfaces. Its small size and turning radius make it the ideal tool to work with in confined spaces, such as lorries or narrow aisles.



EVO

EVO version is specifically designed to provide higher performance, reliability and speed through the innovative powerful three-phase AC technology, while reducing noise emission and overheating of the motor wheel.



AC TECHNOLOGY CONTROLLER

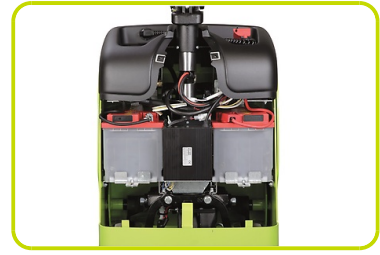
Powerful AC drive motor offering many advantages and more efficiency: higher level of duty, performance and reliability.



EVO BATTERY PACK

Strong ABS cover with storage tray on top, easily removable for a simple access to batteries and key components speeding up maintenance operations.

Schuko plug with spiral cable available for an easy charging.



MANOEUVRABILITY

Thanks to the B1 width, which is equal to the fork gauge, and the L2 measurement of 360 mm, the CX12 electronic pallet truck is the ideal tool for the handling of pallets on lorries, in supermarket aisles and any application where space is limited. This machine is the best configuration in its category thanks to the frame width, in-service weight and turning radius, thus guaranteeing great manoeuvrability and compactness.



TILLER EVOLUTION

Fully integrated ergonomic technopolymer tiller system including finger tip throttle and proportional fork controls, safety pushbutton, horn, turtle button, hourmeter, battery status indicator as standard equipment.



TURTLE FUNCTION

Ergonomic dedicated button as standard for moving the unit in tight areas with the handle in vertical position while remaining almost within the profile of the machine.



EMERGENCY PUSH BUTTON

Very practical system with key and emergency function in the same button. The key is removable and pocket-sized when the operator leaves the machine unattended.



ROLLERS

Standard configuration provided with single polyurethane rollers. Available tandem rollers as optional.



Description

1.1 Изготовитель		LIFTER
Подъема		ELECTRIC
1.3 ТИП УПРАВЛЕНИЯ		ELECTRIC
1.4 ТИП УПРАВЛЕНИЯ		Ручной
1.5 Грузоподъемность	Q Kg	1200
1.6 РАССТОЯНИЕ ДО ЦЕНТРА ТЯЖЕСТИ ГРУЗА	c mm	600
1.8 Load distance, center or drive axle to fork	x mm	886
1.9 КОЛЕСНАЯ БАЗА	y mm	1119

Weights

2.1 Вес Штабелера С Аккумулятором (Без Груза)	Kg	165
2.2 НАГРУЗКА НА ОСИ ПОД ГРУЗОМ, ЗАДНЯЯ ОСЬ	Kg	924
2.2 НАГРУЗКА НА ОСИ ПОД ГРУЗОМ, ПЕРЕДНЯЯ	Kg	441
2.3 НАГРУЗКА НА ОСИ БЕЗ ГРУЗА, ПЕРЕДНЯЯ	Kg	134
2.3 НАГРУЗКА НА ОСИ БЕЗ ГРУЗА, ЗАДНЯЯ ОСЬ	Kg	31

Tyres/Chassis

3.1 Переднее Колесо		RUBBER
3.1 Tyres: stabilizers wheels - front		POLY.I.
3.1 Задние Колеса		NYLON
3.2 Размеры Передних Колес (Ширина)	mm	50
3.2 Размеры Передних Колес (Ø)	mm	186
3.3 Размеры Задних Колес (Ø)	mm	82
3.3 Размеры Задних Колес (Ширина)	mm	82
3.4 Боковые Колеса (Ø)	mm	75
3.4 Боковые Колеса (ширина)	mm	25
3.5 Размер шины: задние колеса	nr	2
3.5 Размер шины: передние колеса	nr	1x
3.6 Колея, Передние Колеса	b10 mm	369
3.7 Колея, Задние Колеса	b11 mm	371

Dimensions

4.4 Высота Подъема	h3 mm	115
4.9 Height of tiller in drive position min	h14 mm	885
4.9 Высота Рукоятки При Движении Тележки Макс	h14 mm	1345
4.15 Высота Вил В Опущенном Положении	h13 mm	85
4.19 Общая Длина Тележки	l1 mm	1510
4.20 Расстояние До Основания Вил	l2 mm	360
4.21 Общая Ширина Тележки	b1 mm	520
4.22 Размеры Вил	s mm	55
4.22 Размеры Вил	e mm	150
4.22 Размеры Вил	l mm	1150
4.25 Расстояние Между Вилами (По Наружному Краю)	b5 mm	520
4.32 Клиренс, В Центре Колесной Базы	m2 mm	30
4.34 Расстояние между пролетами стеллажей Для свободной работы с паллетой 800x1200 (продольная установка паллеты)	Ast mm	1782
4.35 Радиус Поворота Тележки	Wa mm	1268

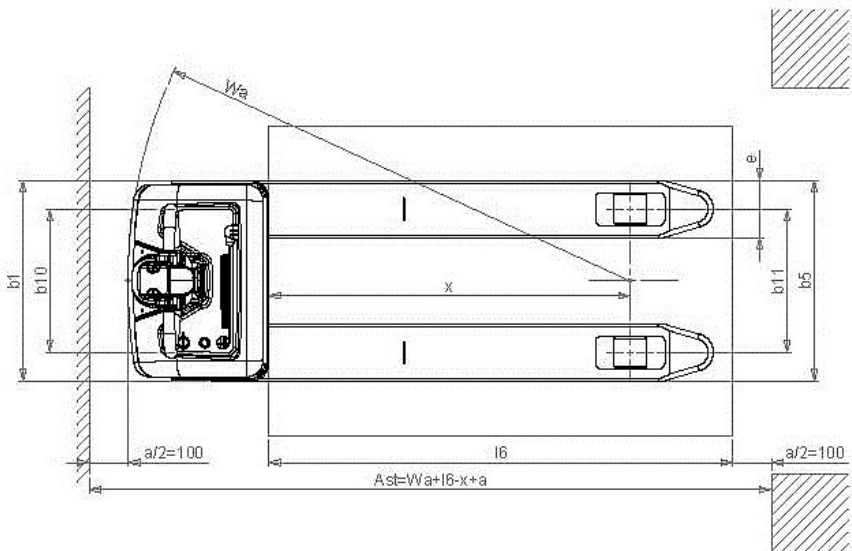
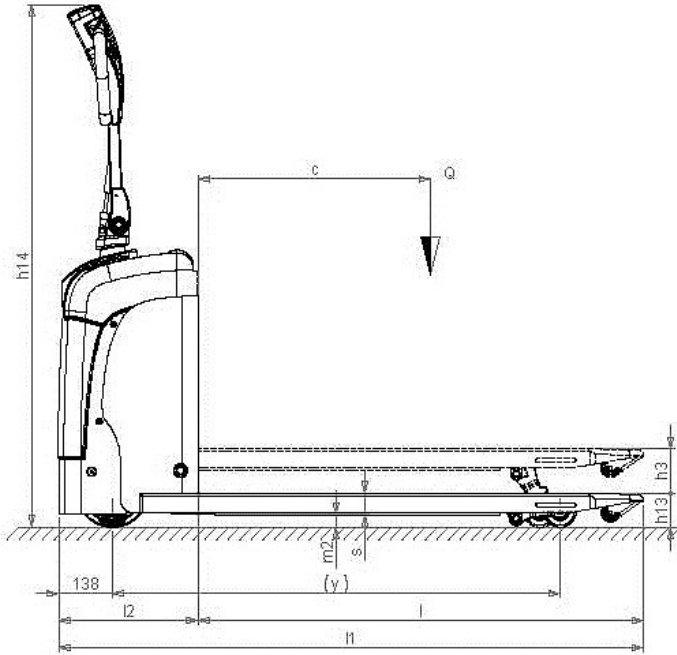
Performances

5.1 Travel speed laden	Km/h	5.0
5.1 Travel speed unladen	Km/h	5.0
5.2 Скорость Подъема Тележки, С Нагрузкой	m/s	0.03
5.2 Скорость Подъема Тележки, С Без Груза	m/s	0.04
5.3 Lowering speed laden	m/s	0.05
5.3 Lowering speed unladen	m/s	0.02
5.8 Max gradeability laden	%	10
5.8 Max gradeability unladen	%	25
5.10 Тормоз	Электрический	

Electric motors

6.1 Drive motor power	kW	0.35
6.2 Lift motor power	kW	0.4
Тип батареи	Тип	Traction (C5)
6.4 Battery voltage	V	24
6.4 Battery capacity, Min	Ah	45
6.4 Battery capacity, Max	Ah	45
6.5 Battery weight, Min	Kg	25
6.5 Battery weight, Max	Kg	40
6.6 Energy consumption according to VDI cycle	kWh/h	0.28
8.4 Sound level at driver's ear	dB(A)	67

*Integrated battery and battery charger



The information is aligned with the Data file at the time of download. Printed on 21/06/2019 (ID 10406)

©2019 | PR INDUSTRIAL s.r.l. | All rights reserved | Image shown may not reflect actual package. Specifications subject to change without notice

