

MAX-3

V1907.01



MAX-3

Innovation to Create New Market

CPD10/12TVE3

Three-wheel Electric Forklift

1.0/1.2t

Customised Especially for Multistory Factories and
Ultra-small Space

EP EQUIPMENT CO.,LTD
www.ep-ep.com



Three-wheel Electric Forklift 1.0/1.2t CPD10/12TVE3

Distinguishing mark					
1.1	Manufacturer			EP	EP
1.2	Model designation			CPD10TVE3	CPD12TVE3
1.3	Drive unit			Electrics	Electrics
1.4	Operator type			seated	seated
1.5	rated capacity	Q	t	1	1.2
1.6	Load center distance	c	mm	400	400
1.8	Load distance, centre of drive axle to fork	x	mm	243.5	243.5
1.9	Wheelbase	y	mm	1150	1150
Weight					
2.1	Service weight (include battery)		kg	1830	1940
2.2	Axle loading, laden driving wheels /steering wheels		kg	2470/360	2670/470
2.3	Axle loading, unladen driving wheels /steering wheels		kg	800/1030	800/1140
Types, Chassis					
3.1	Tyre type, driving wheels /steering wheels			polyurethane	polyurethane
3.2	Tyre size, driving wheels			285/108	285/108
3.3	Tyre size, steering wheels			230/75	230/75
3.5	Wheels, number driving/steering (x=drive wheels)		mm	2/1X	2/1X
3.6	Tread, Driving wheels	b ₁₀	mm	830	830
3.7	Tread, Steering wheels	b ₁₁	mm	—	—
Dimensions					
4.1	Tilt of mast/fork carriage forward/backward	a/ β (°)		2°/ 2°	2°/ 2°
4.2	Height, mast lowered	h ₁	mm	1985	1985
4.3	Free lift (load backrest)	h ₂	mm	120	120
4.4	Lift height	h ₃	mm	2930	2930
4.5	Height, mast extended	h ₄	mm	3845	3845
4.7	Height of overhead guard (cabin)	h ₆	mm	1985	1985
4.8	Seat height	h ₇	mm	970	970
4.12	Tow center of pin height	h ₁₀	mm	—	—
4.19	Overall length	l ₁	mm	2530	2530
4.20	Length to face of forks	l ₂	mm	1610	1610
4.21	Overall width	b ₁ / b ₂	mm	948	948
4.22	Fork dimensions	s/ e/ l	mm	40×100×920	40×100×920
4.23	Fork carriage class/type A, B			2A	2A
4.24	Fork carriage width	b ₃	mm	800	800
4.31	Ground clearance, laden, below mast	m ₁	mm	90	78
4.32	The minimum ground clearance of frame	m ₂	mm	78	95
4.34.1	Aisle width for pallets 1000 × 1200 crossways	Ast	mm	2970	2975
4.34.2	Aisle width for pallets 800 × 1200 lengthways	Ast	mm	3090	3090
4.35	Turning radius	Wa	mm	1450	1450
Performance data					
5.1	Travel speed, laden/ unladen		km/ h	6/8	6/8
5.2	Lifting speed, laden/ unladen		m/ s	0.13/0.2	0.13/0.2
5.3	Lowering speed, laden/ unladen		m/ s	0.14/0.125	0.14/0.125
5.5	Drawbar pull, laden/unladen		N	—	—
5.6	Max. drawbar pull, laden/unladen (time)		N	—	—
5.7	Gradeability, laden/unladen		%	6/ 8	6/ 8
5.8	Max. gradeability, laden/unladen		%	—	—
5.10	Service brake type			Electromagnetic	Electromagnetic+ hydraulic
	park brake type			—	—
Electric-engine					
6.1	Drive motor rating S2 60 min		kW	1.5	1.5
6.2	Lift motor rating at S3 15%		kW	3	3
6.3	The maximum allowed size battery		mm	—	—
6.4	Battery voltage/nominal capacity K5			24/ 240	24/ 360
6.5	Battery weight		kg	255	340
Addition data					
8.1	Type of drive unit			AC	AC
10.5	Steering type			—	—
10.7	Sound pressure level at the driver's ear		dB (A)	70	70

If there are improvements of technical parameters or configurations, no further notice will be given.
The diagram shown may contain non-standard configurations.

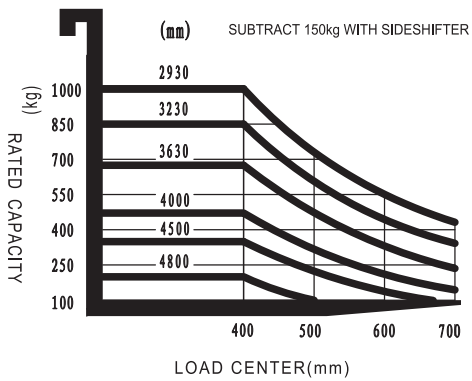
Mast Option

CPD10/12TVE3

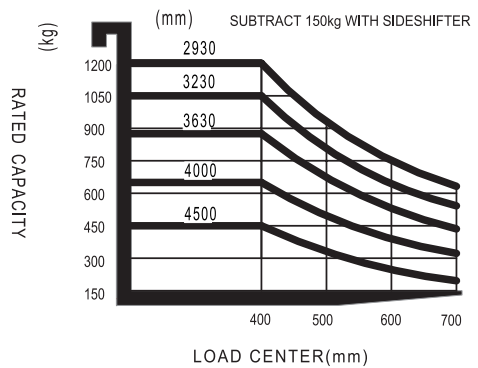
Type	Model	Max. fork height h3	Overall height				Free lift		Front Overhang X		Tilt range	
			Lowered h1	Extended		Without backrest	With backrest h2	Front Overhang X		FWD α	BWD β	
				Without backrest	With backrest h4			1.0t	1.2t			
				mm	mm			mm	mm			Deg
Duplex ZT	2W243	2430	1710	2945	3345	120	120	243.5	243.5	2	2	
	2W263	2630	1810	3145	3545	120	120	243.5	243.5	2	2	
	2W293	2930	1960	3445	3845	120	120	243.5	243.5	2	2	
	2W323	3230	2110	3745	4145	120	120	243.5	243.5	2	2	
	2W343	3430	2210	3945	4345	120	120	243.5	243.5	2	2	
	2W353	3530	2260	4045	4445	120	120	243.5	243.5	2	2	
	2W363	3630	2310	4145	4545	120	120	243.5	243.5	2	2	
Triplex DZ	3F400	3830	2410	4345	4745	120	120	243.5	243.5	2	2	
	3F450	4000	1822	4515	4920	1307	907	228.5	228.5	2	2	
		4500	2022	5015	5420	1507	1107	228.5	228.5	2	2	

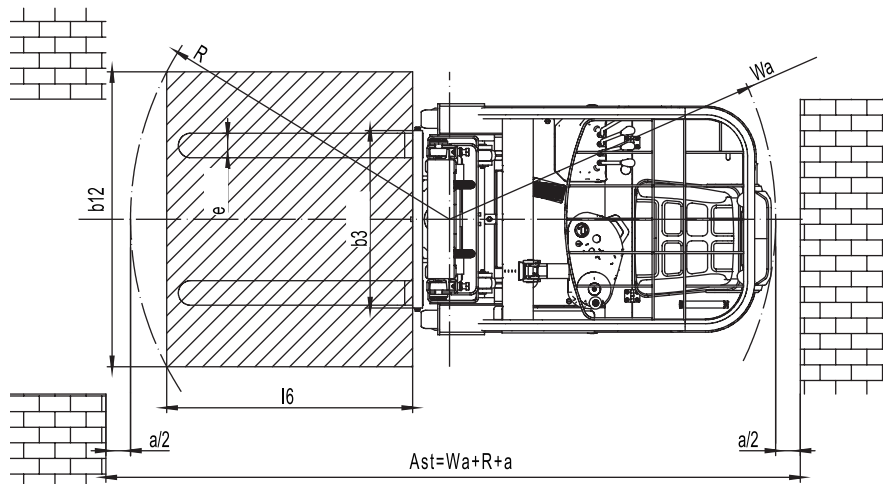
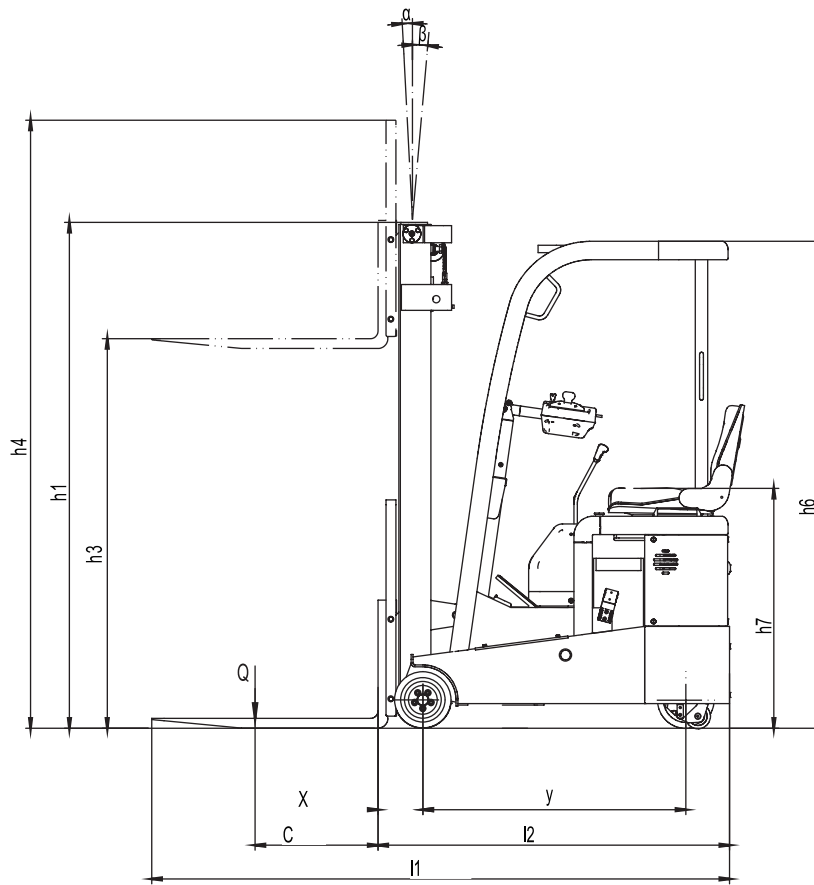
- 1.The parameters in the table are of the standard model. For more information, please contact us.
- 2.The parameters are subject to changes without notice..

CPD10TVE3 RATED CAPACITIES GRAPH



CPD12TVE3 RATED CAPACITIES GRAPH







Option

Options		CPD10/12TVE3
1	Fork length	○
2	Fold fork	○
3	Battery capacity	○
4	Import battery	○
5	Solid rubber tire	—
6	Environmental solid tire	—
7	Cold storage	○
8	Lateral change battery	○
9	fork weighing system	○
10	Overhead guard	○
11	Mast options	○
12	Attachments	○
13	Built in side shift	—
14	Proportional valve	—
17		LED front light
28	Light	Back light
22		Warning light
18	Fire extinguisher	○
19	Water auto-fillingsystem	—
20	Seat	○
21	Seat switch	○
23		With fan heater
25	Cockpit	With front windshield wiper
26		With rear windshield wiper
16		Cockpit
24	Doulbe front wheel	—
27	Rearview	○
29	OPS system	○
30	Backrest width	○
31	Environmental solid tire	○
32	Air fan	○
33	Charging voltage	○
35	Drive-in Rack	○

Note: ● standard ○ option — NA